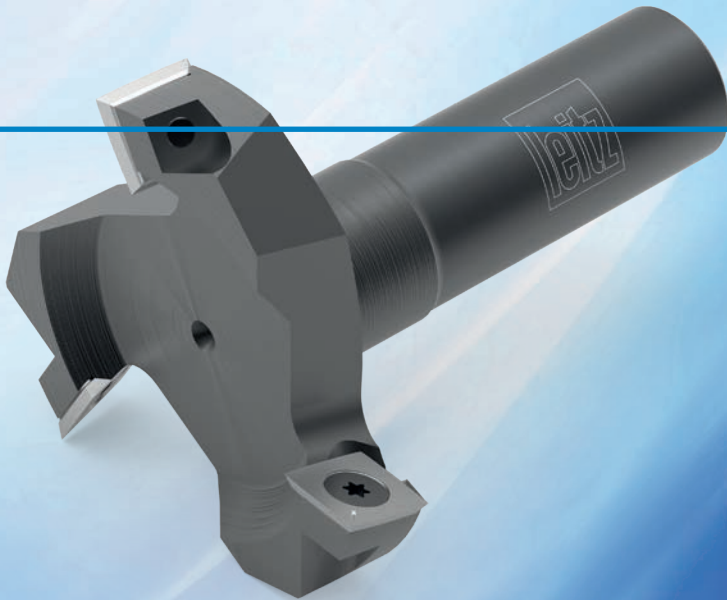




HeliPlan planing cutter

More quality in face-milling of
wood derived materials and plastics



Insufficient cutting results and poor chip removal during face-milling can have a significant impact on the quality of production processes – for example, when planing support panels in the Nesting process.

With the new HeliPlan planing cutter from Leitz, an almost mark-free finish quality can be achieved. Together with efficient chip removal and higher tool feeds, the entire workflow is optimized. When machining plastics, the HeliPlan planing cutter enables surfaces in finish quality.

YOUR BENEFITS

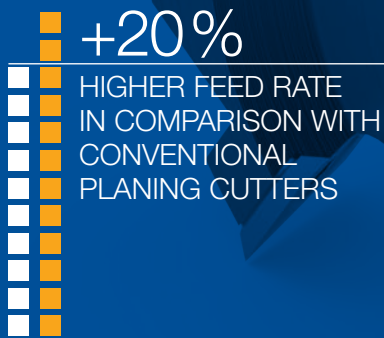
- Nearly mark-free finish quality
- Finish quality in plastics
- Excellent chip removal
- Reduced cutting time due to higher tool feeds
- Turnblades and disposable cutting edges

AT A GLANCE

- 4-times turnable carbide cutting edges
- Diameter 80-180 mm
- Applicable in MDF, plastics and solid wood
- Particularly suitable for CNC machining centres
- Available ex stock



HeliPlan planing cutter: Nearly mark-free finish quality when planing support panels in the Nesting process (left) as well as surfaces in finish quality for thermoplastic plastic panels (right).



Your benefits due to ...



QUALITY

HeliPlan planing cutter – improved finish quality

- Nearly mark-free finish quality through improved cutting edges and cutting edge geometries
- Excellent chip removal due to optimized gullet areas
- Surfaces in finish quality when machining thermoplastic plastic panels ($R_a < 0,8 \mu\text{m}$)



PRODUCTIVITY

HeliPlan planing cutter – shorter machining times

- Higher tooth and tool feed rate due to optimized cutting edge geometry
- Improved productivity through reduced cutting time
- Optimized vacuum clamping of the working pieces on Nesting machines



SUSTAINABILITY

HeliPlan planing cutter – sustainable and cost efficient

- 4-fold life time through turnable cutting edges
- Disposable carbide cutting edges
- Reusable tool body

HeliPlan
planing cutter:
More quality,
less chips, shorter
cutting time!

